

(800) 888-2332
(805) 388-8185
Fax: (805) 388-3002

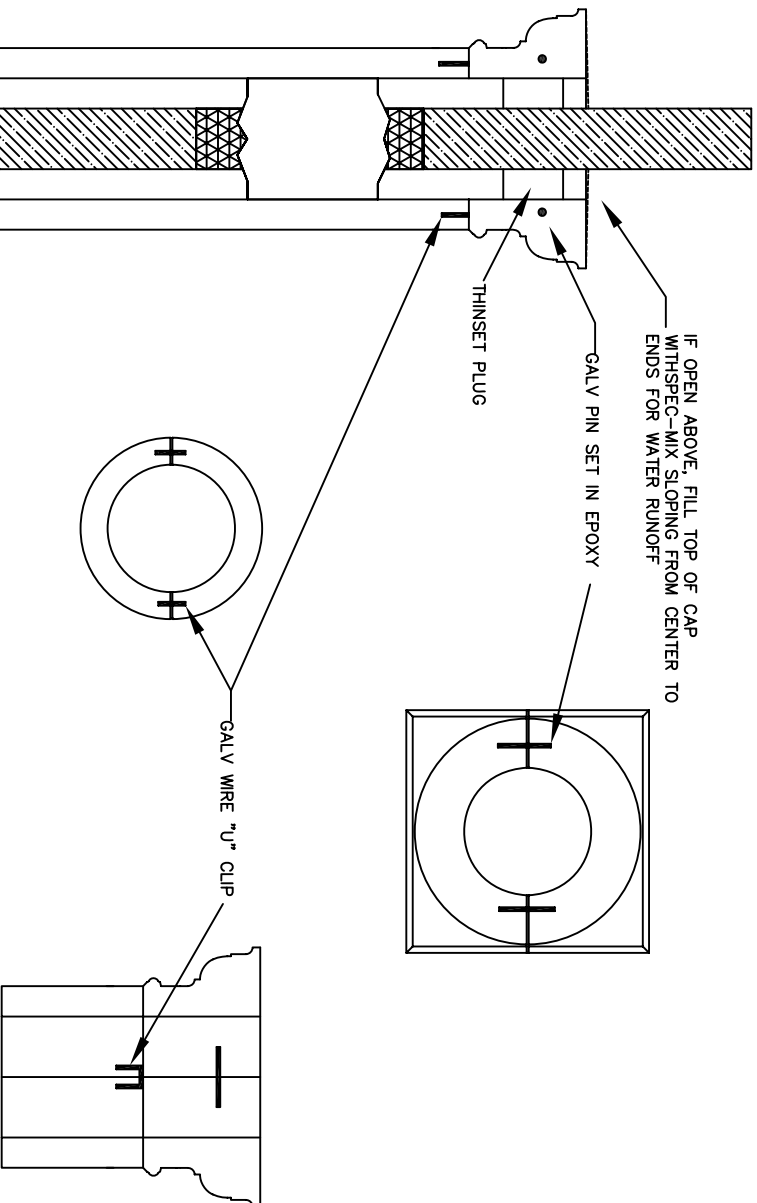
Drawn by: NG
6-21-02

(800) 888-2332
(805) 388-8185
Fax: (805) 388-3002

Drawn by: NG
6-21-02

COLUMN INSTALLATION DETAILS

SHEET 30



Make sure wood post is bituthaned.
 Measure overall height needed.
 Lay base, shaft and capital on flat concrete area as if the column would be standing up, and cut bottom of shaft to adjust height.

Never cut top of shaft for height adjustment.
 Attach galv metal lath to bituthaned post with wire (no nails). Drill holes in top of columns to accept the galv wire "U" clip. Mask tape at outside of joints of base, shaft and cap.

Set bases with thinset plugs inside and PL200 adhesive where parts meet (do not try to remove adhesive for 24 hrs, masking tape will protect column shaft) and if needed, leave to set overnight. Lay column shafts down in place to install, trowel 2 thinset plugs inside shaft of first half shaft at same height as galv metal lath. Trowel thinset onto galv metal lath on post. Raise shaft and push until thinset meets thinset, secure shaft temporarily with rope. Do the same with other half shaft but before halves meet, caulk both half shafts with PL2000 subfloor adhesive.

Push second shaft against first until adhesive squeezes out. Do not try to remove excess adhesive until next day. Call holes for "U" wire clip and push wire down to secure halves. Use above process to install capital halves. Leave set for 24 Hrs. If open above (no ceiling as a trellis would be) fill top solid with spec-mix sloping top for water to run off. Remove adhesive from joints, leaving 1/4" deep for grout.

Grout all joints and remove masking tape.
 Plug top of column with grout material if open to sky (i.e. trellis) leaving slope for water runoff.

THESE INSTALLATION DETAILS ARE ONLY A RECOMMENDATION AND MAY NOT COMPLY WITH YOUR CITY OR STATE CODE
 VENTURA CAST STONE, INC. IS NOT RESPONSIBLE FOR INSTALLATION FAILURES

NOT TO SCALE

Ventura Cast Stone

(800) 898-2332

Drawn by: NG

(805) 386-8185

09-30-05

Fax: (805) 386-3002